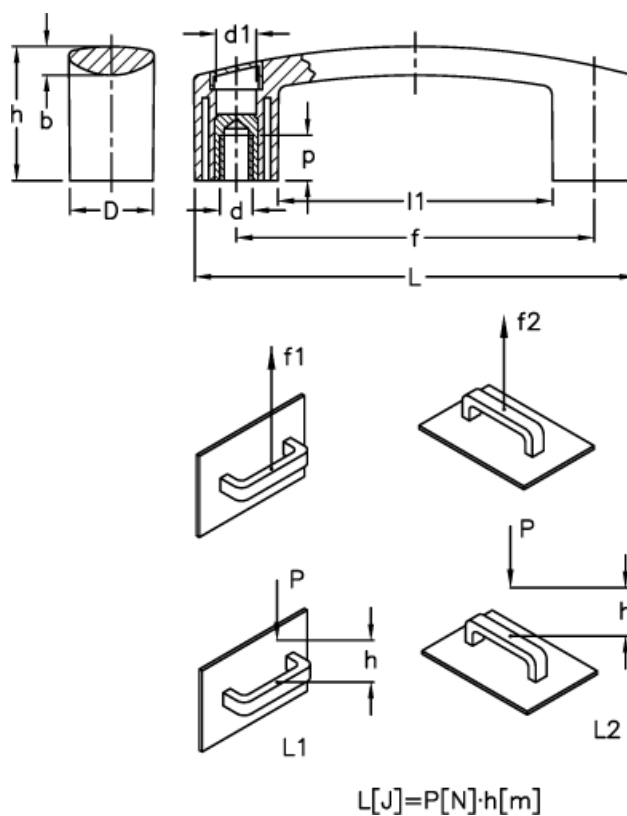


Data Sheet



Article number: 23052602212
Description: E+G Bridge handle
EBP.140-B M8-C2

Measures



b	= 8.5	L	= 144.0
D	= 26.0	$l1$	= 92.0
$d1$	= 13.5	$L1 (J)$	= 10
$d 6H$	= M8	$L2 (J)$	= 4
f	= 117 +/-0,5	p	= 13
$F1 (N)$	= 2700		
$F2 (N)$	= 1800		
h	= 39		